



#### GENERAL

PROJECT: ENP  
HULL MATERIAL: GRP  
VESSEL TYPE: Fishing Boat  
BUILDING YEAR: 2018

#### DIMENSIONS

LENGTH O.A.: 7,40m  
LENGH BPP: 6,76m  
BEAM: 2,74m  
DEPTH: 1,22m

#### PROPULSION

MAIN ENGINE: Outboard engine, Honda BF100AK1 - 100HP  
SHAFT LENGHT: Ultra Long  
STEERING SYSTEM: Hydraulic steering

#### TANKS

FUEL: 400L  
MOTOR OIL: 10W40 ou 15W40; 4,20L

#### ENERGY

NETWORK: 12V DC

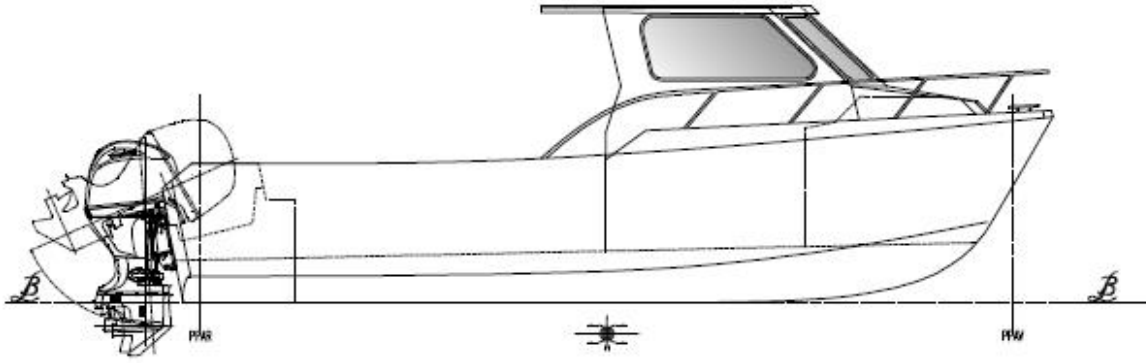
#### ACCOMODATION

CREW: 5

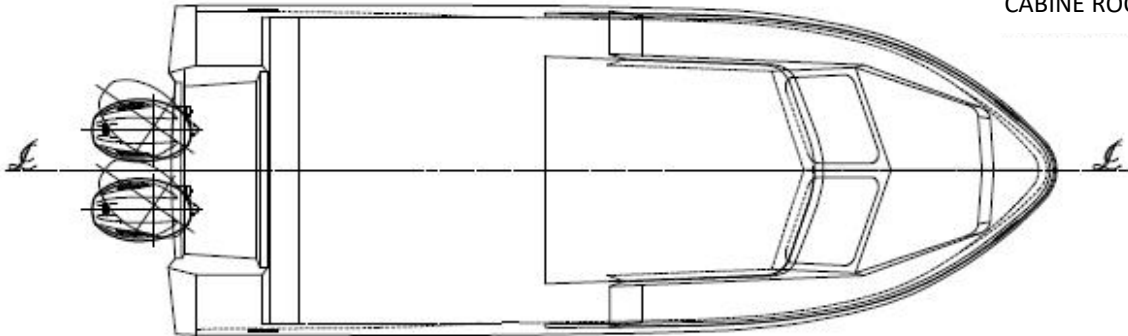
#### NAUTICAL AND COMMUNICATION

MAGNETIC COMPASS  
GPS: Furuno 1715X  
RADAR/ CHART PLOTTER: Humminbird Helix 7 GPS Chirp G2  
RADIO VHF com DSC classe D: Navicom, RT-550

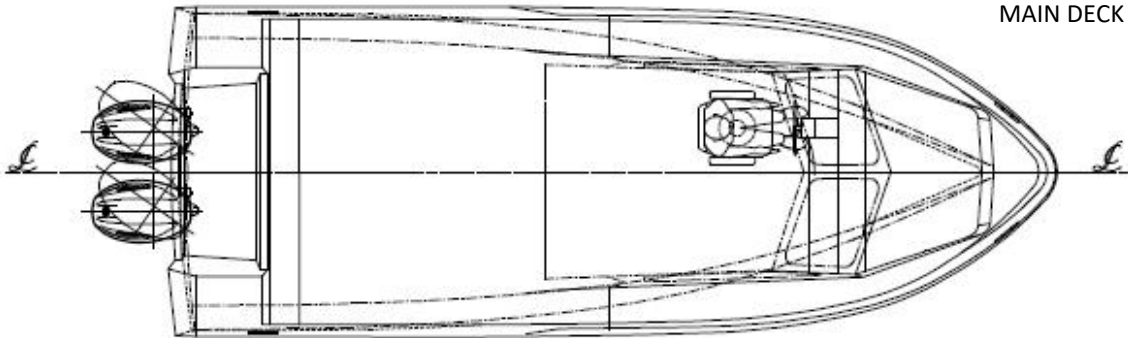
PROFILE



CABINE ROOF



MAIN DECK



Layout and equipment indicative.

Please contact [info@enp.pt](mailto:info@enp.pt) for more details.



**Estaleiros Navais de Peniche S.A.**

Molhe Leste  
2520-620 Peniche

Tel: +351 262 780 420

[www.enp.pt](http://www.enp.pt)

Portugal

[info@enp.pt](mailto:info@enp.pt)

39.353282, -9.36773