



2018©ENP.SA

GENERAL

PROJECT: ENP
HULL MATERIAL: GRP
VESSEL TYPE: Fishing Boat
BUILDING YEAR: 2018

DIMENSIONS

LENGTH O.A.: 7,40m
LENGH BPP: 6,76m
BEAM: 2,74m
DEPTH: 1,22m

PROPULSION

MAIN ENGINE: Outboard engine, Honda BF80AK1 - 80HP
SHAFT LENGHT: Ultra Long
STEERING SYSTEM: Manual

TANK CAPACITIES

FUEL: 400L
ENGINE LUB OIL: 10W40 or 15W40 ; 4,20L

ENERGY

NETWORK: 12V DC

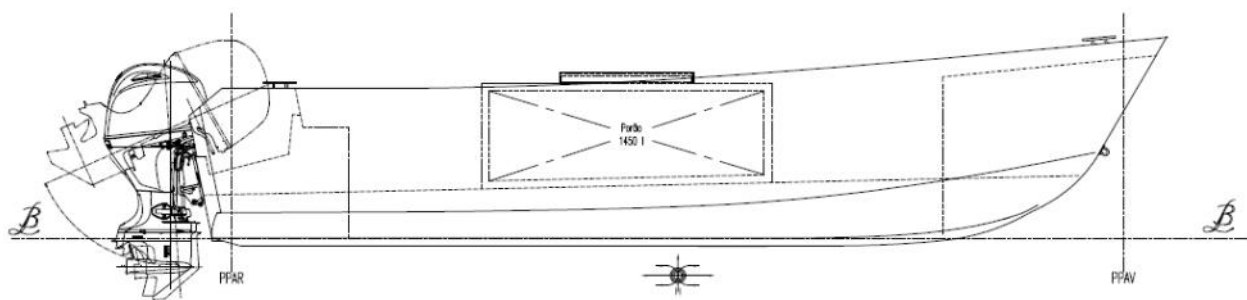
ACCOMODATION

CREW: 4

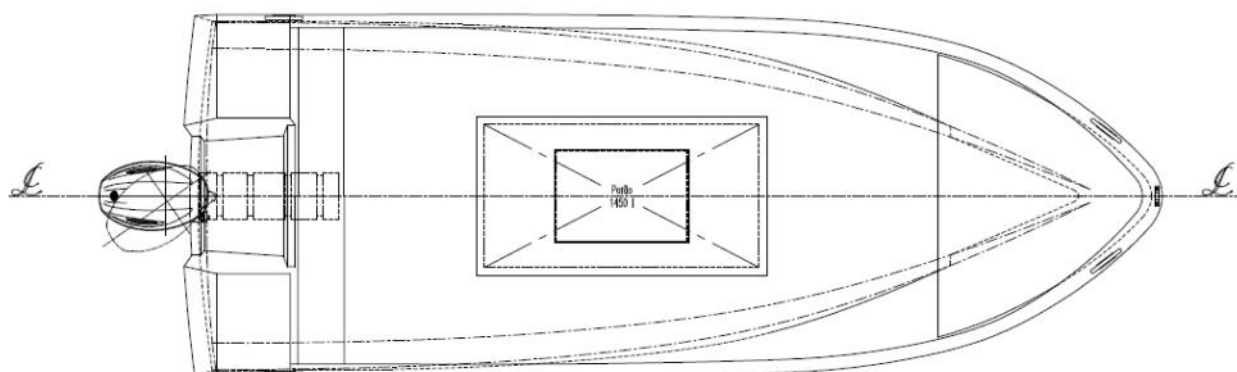
CARGO

FISH HOLD: 1000Kg

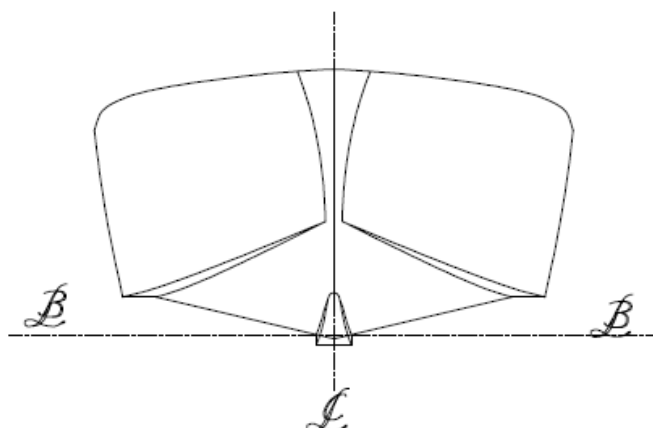
PROFILE



MAIN DECK



FORWARD VIEW



Layout and equipment indicative.

Please contact info@enp.pt for more details.



Estaleiros Navais de Peniche S.A.

Molhe Leste
2520-620 Peniche

Tel: +351 262 780 420

www.enp.pt

Portugal

info@enp.pt

39.353282, -9.36773